

TECHNICAL SPECIFICATIONS WASHBASINS

Features

- Wood composite washbasins
- Seamless, hygienic construction
- Durable, scratch resistant finish

Material

Woodio™ wood composite with wood content up to 80% of volume. High-quality UV, scratch and chemical resistant gel coat finishing.

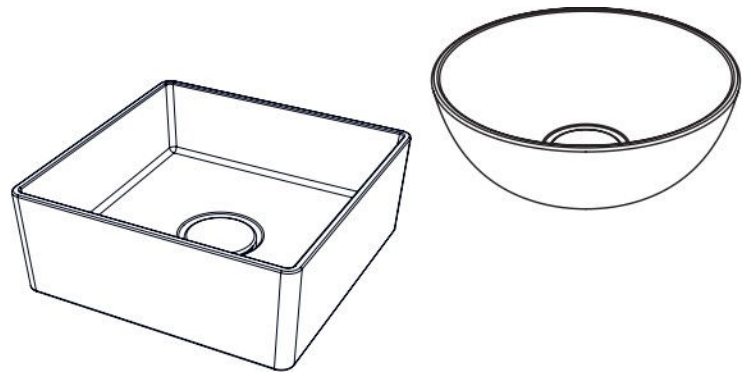
Certification

Wood chips used in the product are *FSC*® certified which ensures that they originate from responsibly managed forests.

Declared performance

Products are *CE* marked and meet the criteria of European standard *EN 14688 Sanitary appliances – Wash Basins – Functional requirements and test methods*.

Essential Characteristics	Performance	Harmonized technical specification
Load resistance	Pass	EN 14688:2015
Cleanability	Pass	EN 14688:2015
Capacity of overflow	Pass	EN 14688:2015
Durability	Pass	EN 14688:2015



Installation

Installation requires a drain valve, including a water trap and a separate drainpipe depending on the site.

Necessary fittings and stainless-steel installation brackets are included with wall hung basins.

The package contains installation instructions.



Natural / Aspen 2mm



Polar / Aspen 2mm



Char / Aspen 2mm



Linen / Aspen 2mm



Mud / Aspen 2mm



Clay / Aspen 2mm



Root / Aspen 2mm



Stone / Aspen 2mm



Arctic / Aspen 2mm



Moss / Aspen 2mm



Blossom / Aspen 2mm



Natural / Aspen 5mm



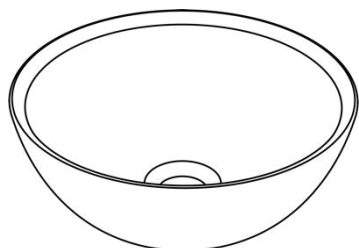
Natural / Birch 6mm

**TECHNICAL SPECIFICATIONS
WASHBASINS**
General dimensions

Product	Outer dimensions (L x W x H)	Weight	Drain hole	Faucet hole	Over-flow hole	Over-flow
	cm	kg	mm	mm	mm	l/s
S32T	32 x 32 x 13 (12.7)	2,8	46	-	-	-
S40T	40 x 40 x 19(15)	5,3	44	-	-	-
S60T	60 x 40 x 17(14)	8,8	44	-	-	-
S40F	40 x 40 x 17(15)	6,3	44	35	29	0,1
S60F	60 x 40 x 15(14)	8,9	44	35	29	0,1
S40W	40 x 40 x 17	9,5	44	35	29	0,1
S60W	60 x 40 x 15	10,5	44	35	29	0,1
C40T	40 x 40 x 18(15)	6,9	44	-	-	-
C60T	60 x 40 x 17(14)	10,3	44	-	-	-
C40F	40 x 40 x 16(15)	8,3	44	35	29	0,1
C60F	60 x 40 x 15(14)	11,2	44	35	29	0,1
C40W	40 x 40 x 16	8,0	44	35	29	0,1
C60W	60 x 40 x 15	11,8	44	35	29	0,1
S40R	40 x 40 x 19(5)	5,4	44	-	-	-
S60R	60 x 40 x 17(5)	8,6	44	-	-	-
C40R	40 x 40 x 18(5)	6,4	44	-	-	-
C60R	60 x 40 x 17(5)	8,6	44	-	-	-
U80I	81 x 50 x 14(2)	14,5	46	35	29	0,1

TECHNICAL SPECIFICATIONS
WASHBASINS

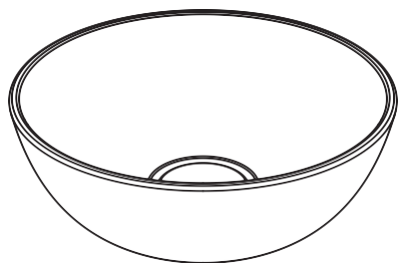
Soft Collection



S32T

Soft32 Table top washbasin

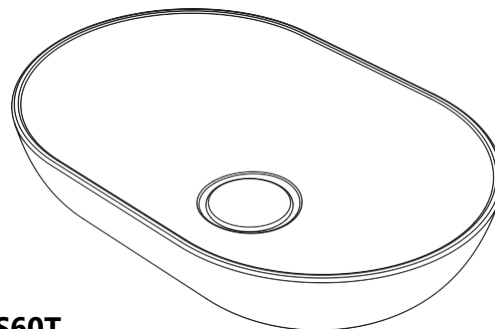
320 mm x 320 mm x 130 mm
Height after installation 127 mm



S40T

Soft40 Table top washbasin

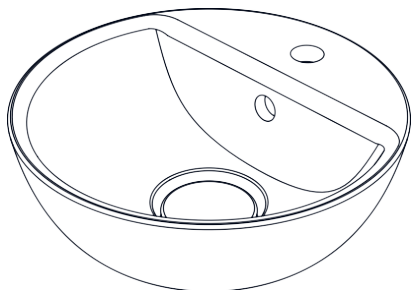
400 mm x 400 mm x 188 mm
Height after installation 150 mm



S60T

Soft60 Table top washbasin

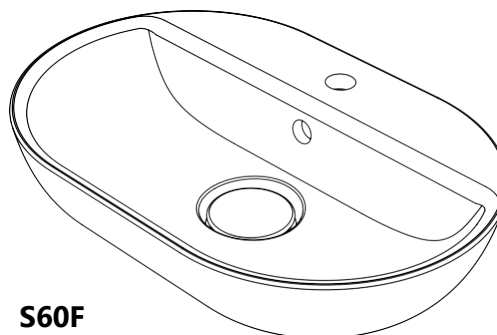
600 mm x 400 mm x 173 mm
Height after installation 135 mm



S40F

Soft40 With a faucet

400 mm x 400 mm x 166 mm
Height after installation 150 mm



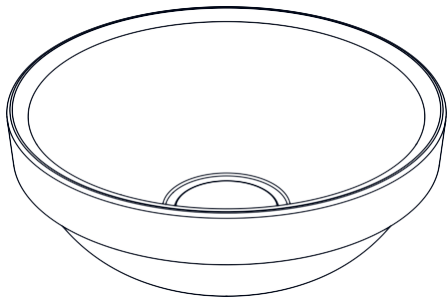
S60F

Soft60 With a faucet

600 mm x 400 mm x 153 mm
Height after installation 135 mm

TECHNICAL SPECIFICATIONS
WASHBASINS

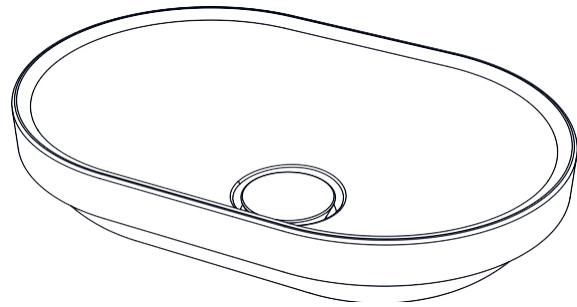
Soft Collection



S40R

Soft40 Recessed

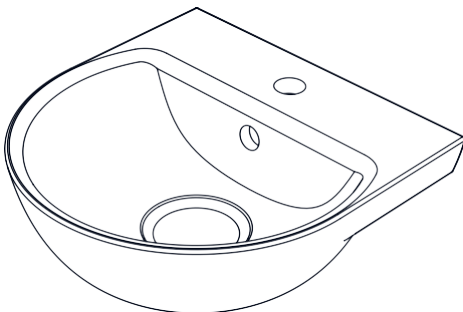
400mm x 400mm x 188mm
Height after installation 50 mm



S60R

Soft60 Recessed

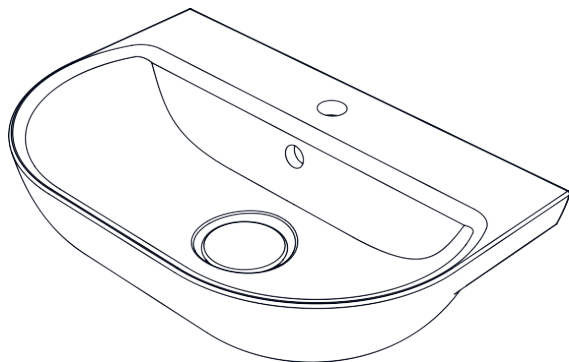
600 mm x 400 mm x 173 mm
Height after installation 50 mm



S40W

Soft40 Wall hung

400mm x 400mm x 166mm



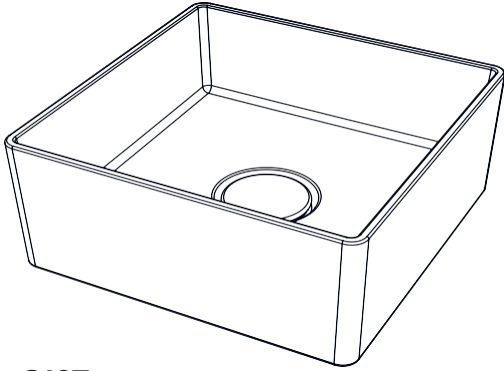
S60W

Soft60 Wall hung

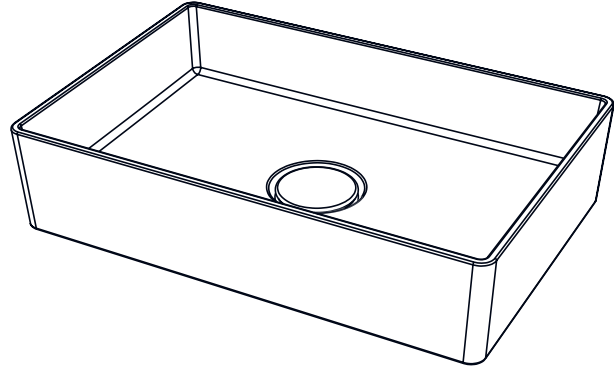
600 mm x 400 mm x 153 mm

TECHNICAL SPECIFICATIONS
WASHBASINS

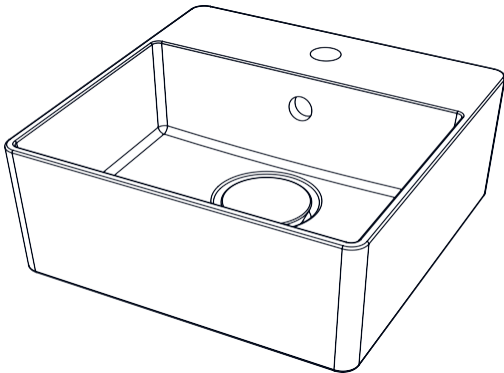
Cube Collection



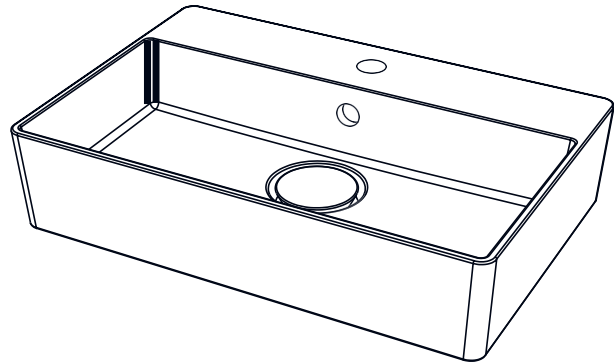
C40T
Cube40 Table top washbasin
400 mm x 400 mm x 184 mm
Height after installation 150 mm



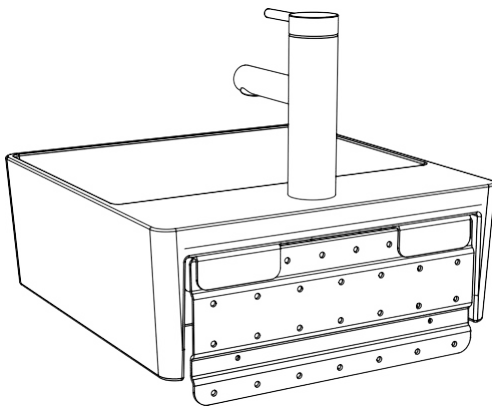
C60T
Cube60 Table top washbasin
600 mm x 400 mm x 169 mm
Height after installation 135 mm



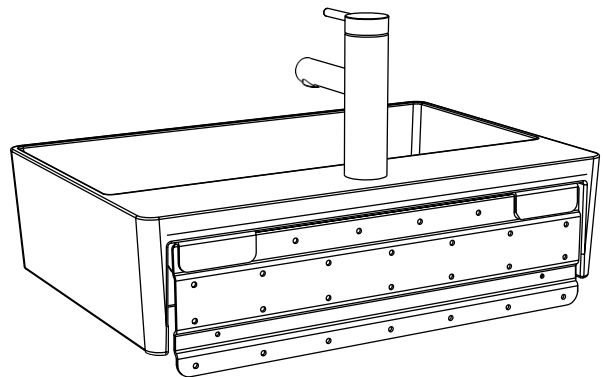
C40F
Cube40 With a faucet
400 mm x 400 mm x 164 mm
Height after installation 150 mm



C60F
Cube60 With a faucet
600 mm x 400 mm x 149 mm
Height after installation 135 mm



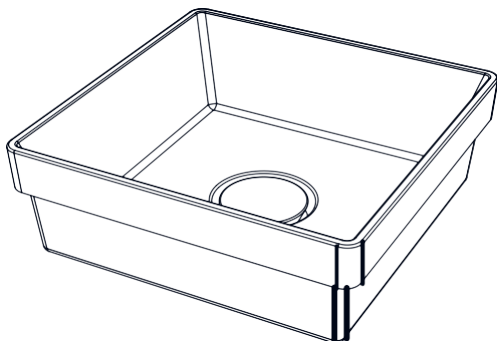
C40W
Cube40 Wall hung
400 mm x 400 mm x 164 mm



C60W
Cube60 Wall hung
600 mm x 400 mm x 149 mm

TECHNICAL SPECIFICATIONS
WASHBASINS

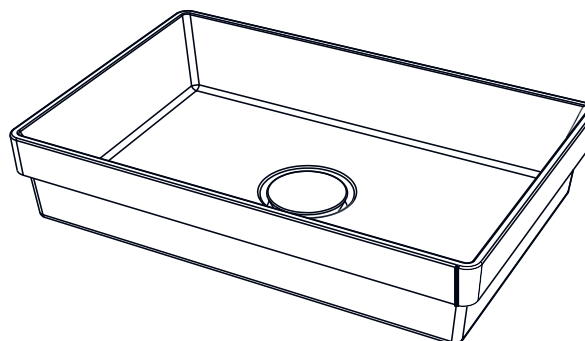
Cube Collection



C40R

Cube40 Recessed

400 mm x 400 mm x 184 mm
Height after installation 50 mm

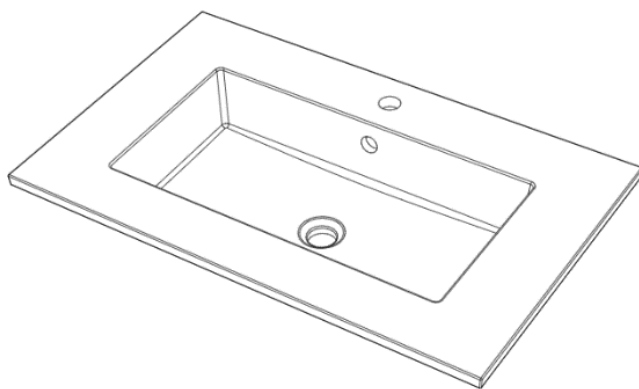


C60R

Cube60 Recessed

600 mm x 400 mm x 169 mm
Height after installation 50 mm

Unit



U80I

Unit80 Integrated

812 mm x 503 mm x 138 mm
Height after installation 20 mm