

woodio®

**WASHBASIN  
INSTALLATION INSTRUCTIONS**

SOFT 32 | SOFT 40 | SOFT 60 | CUBE 40 | CUBE 60 | UNIT 80

# MADE IN FINLAND

Woodio products are manufactured in Finland at Woodio's own factory in Helsinki. The Association for Finnish Work has awarded all Woodio products the Key Flag symbol in recognition of products made in Finland. We have also been awarded the Design from Finland mark that is awarded to companies that have contributed to Finnish design. We are proud to carry these awards as a symbol of Finnish work, design and craftsmanship.



**DESIGN DEED  
OF THE YEAR  
2019**



# STANDARDS COMPLIANT

Complies with EU sanitary appliances standard (EN14688).  
Woodio basin can be installed in bathrooms used domestically and commercially.  
Can be disposed as energy waste.



## CARE INSTRUCTIONS

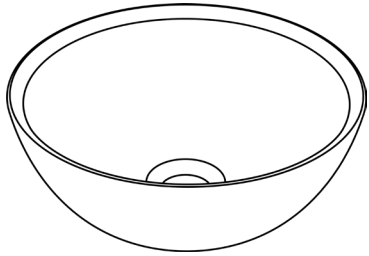
If necessary, clean with a water dampened soft cloth and a mild non-abrasive dish detergent or soap. Do not use steel wool, hard or sharp tools which can scratch the surface of the sink.



## CUSTOMER CARE

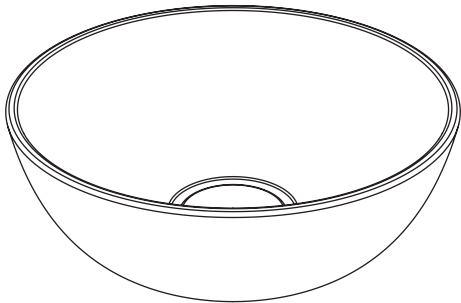
woodio@woodio.fi  
+358 50 478 2944

# SOFT



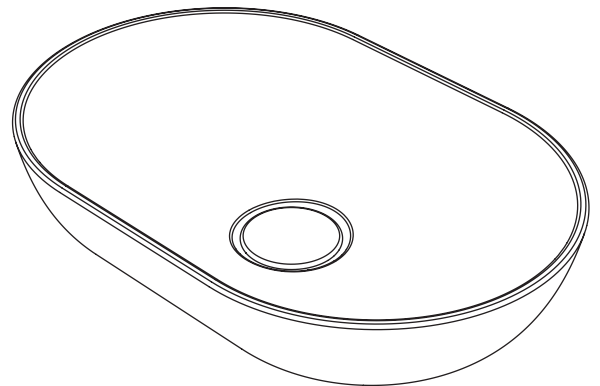
## SOFT32 TABLE TOP

320 mm x 320 mm x 130 mm  
EN 14688 – CL 00



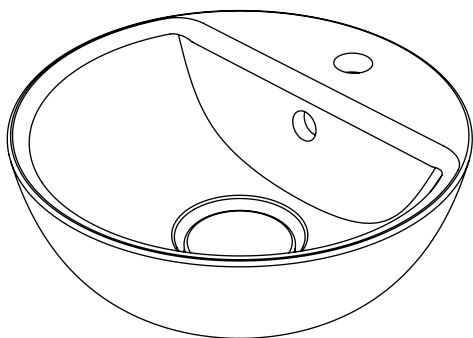
## SOFT40 TABLE TOP

400 mm x 400 mm x 150 mm  
EN 14688 – CL 00



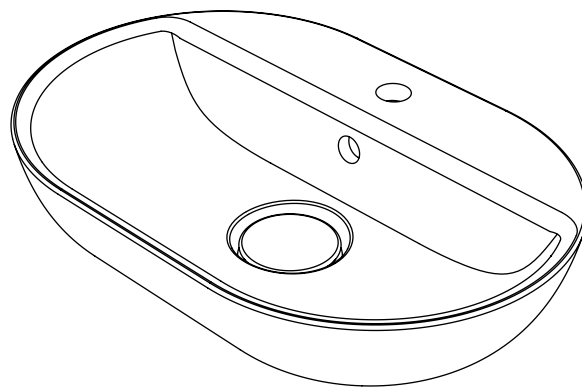
## SOFT60 TABLE TOP

600 mm x 400 mm x 135 mm  
EN 14688 – CL 00



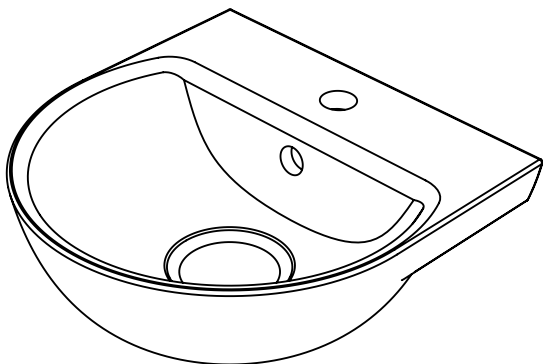
### **SOFT40 WITH A FAUCET**

400 mm x 400 mm x 150 mm  
EN 14688 – CL 10



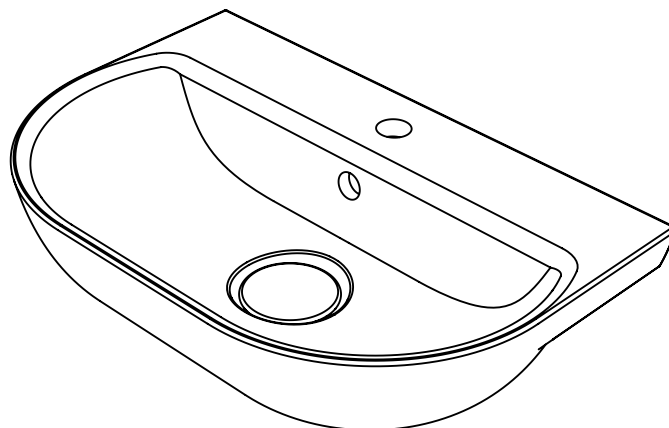
### **SOFT60 WITH A FAUCET**

600 mm x 400 mm x 135 mm  
EN 14688 – CL 10



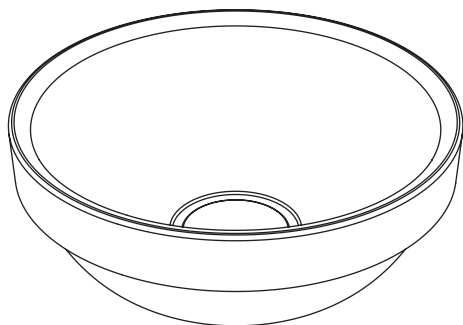
### **SOFT40 WALL HUNG**

400 mm x 400 mm x 150 mm  
EN 14688 – CL 10



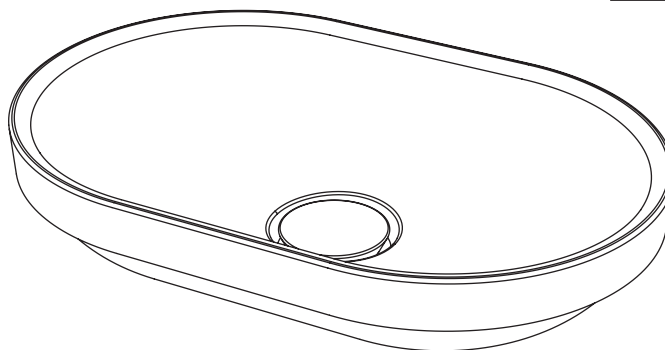
### **SOFT60 WALL HUNG**

600 mm x 400 mm x 135 mm  
EN 14688 – CL 10



### **SOFT40 RECESSED**

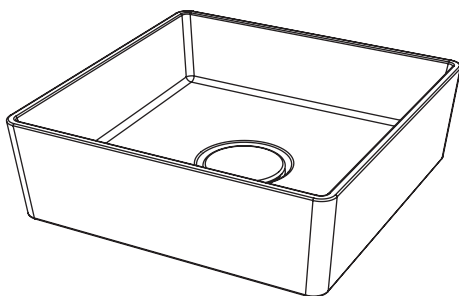
400 mm x 400 mm x 150 mm  
EN 14688 – CL 00



### **SOFT60 RECESSED**

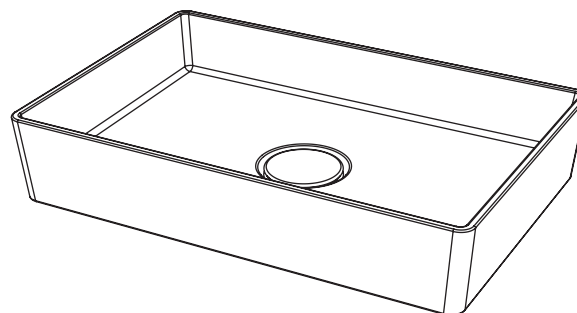
600 mm x 400 mm x 135 mm  
EN 14688 – CL 00

## **CUBE**



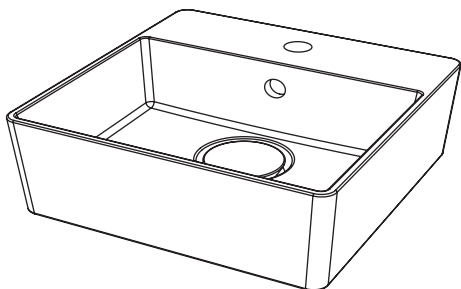
### **CUBE40 TABLE TOP**

400 mm x 400 mm x 150 mm  
EN 14688 – CL 00



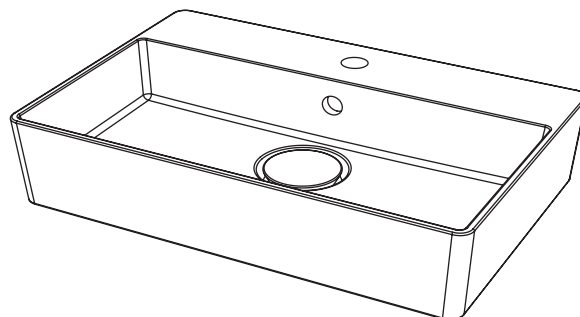
### **CUBE60 TABLE TOP**

600 mm x 400 mm x 135 mm  
EN 14688 – CL 00



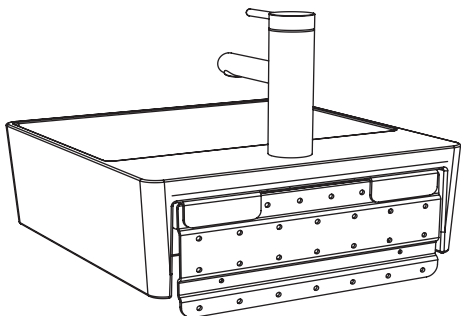
### **CUBE40 WITH A FAUCET**

400 mm x 400 mm x 150 mm  
EN 14688 – CL 10



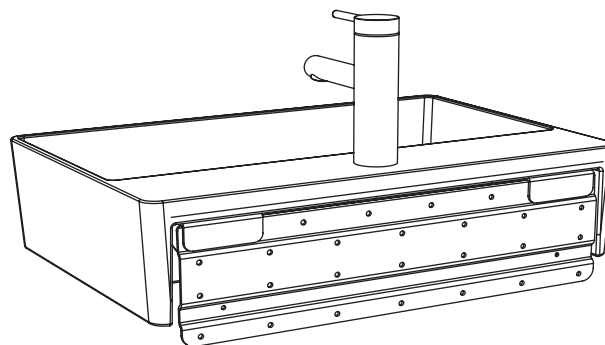
### **CUBE60 WITH A FAUCET**

600 mm x 400 mm x 135 mm  
EN 14688 – CL 10



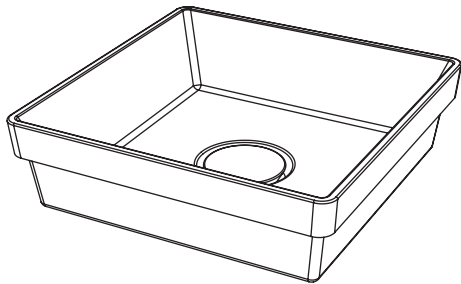
### **CUBE40 WALL HUNG**

400 mm x 400 mm x 150 mm  
EN 14688 – CL 10



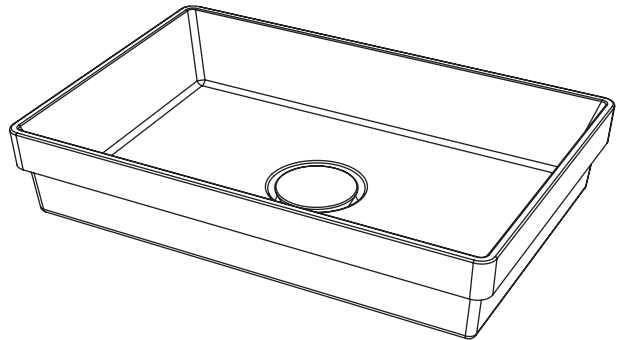
### **CUBE60 WALL HUNG**

600 mm x 400 mm x 135 mm  
EN 14688 – CL 10



### **CUBE40 RECESSED**

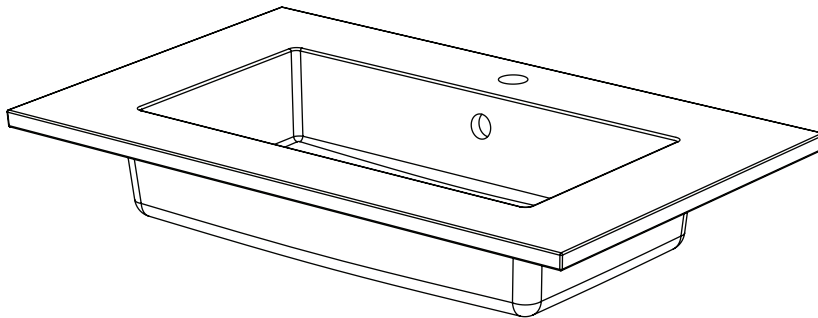
400 mm x 400 mm x 140 mm  
EN 14688 – CL 00



### **CUBE60 RECESSED**

600 mm x 400 mm x 125 mm  
EN 14688 – CL 00

## **UNIT**



### **UNIT80 INTEGRATED**

138mm x 812mm x 503mm  
EN 14688 – CL 10





# **CONTENT & INSTALLATION**



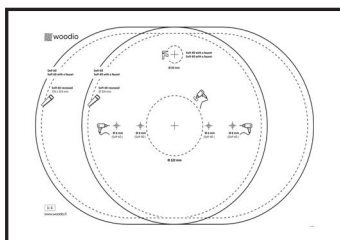
# CONTENT

Soft32 table top  
Soft40 table top  
Soft60 table top  
Soft40 with a faucet  
Soft60 with a faucet

Cube40 table top  
Cube60 table top  
Cube40 with a faucet  
Cube60 with a faucet



12-13



**x1**



**x2**



**x2**



**x2**

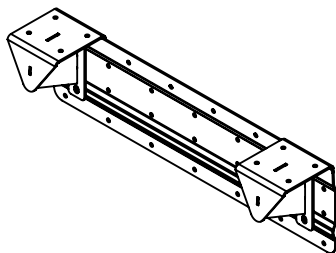
---

Soft40 wall hung  
Soft60 wall hung

Cube40 wall hung  
Cube60 wall hung



14-15



**x1**



**x2**

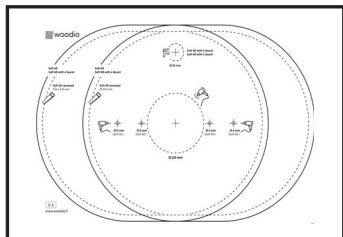


Soft40 recessed  
Soft60 recessed

Cube40 recessed  
Cube60 recessed



16-17



**x1**

---

Unit80 integrated



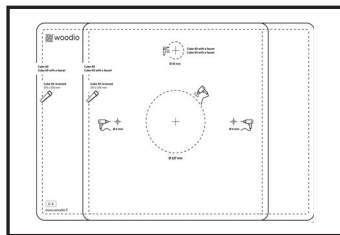
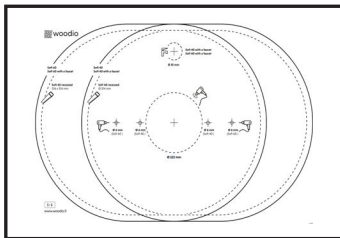
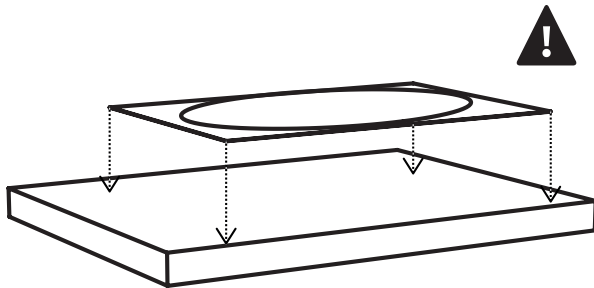
18-19

# INSTALLATION

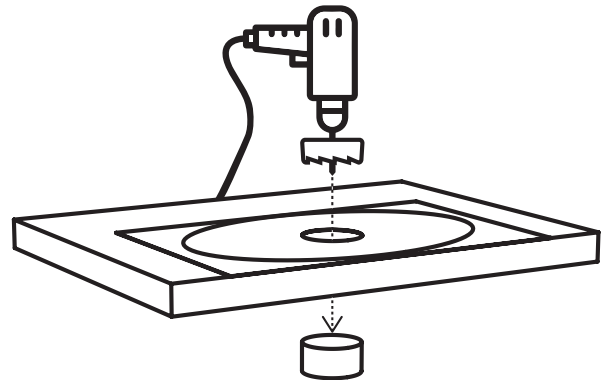
Soft32 table top  
Soft40 table top  
Soft60 table top  
Soft40 with a faucet  
Soft60 with a faucet


Cube40 table top  
Cube60 table top  
Cube40 with a faucet  
Cube60 with a faucet

1.



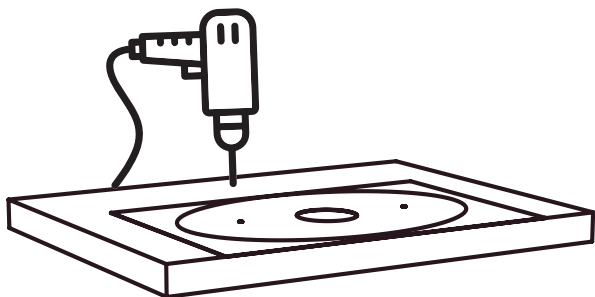
2.



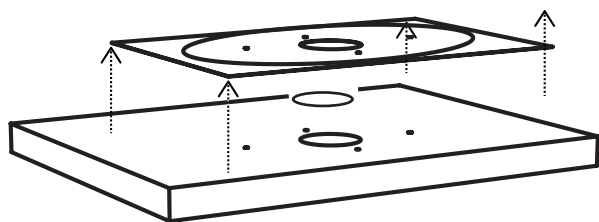
 Use the template, in the package, to help you with the right installation dimensions when cutting into your table top. Please note that the installation requires a water trap and a separate drainpipe depending on the site.



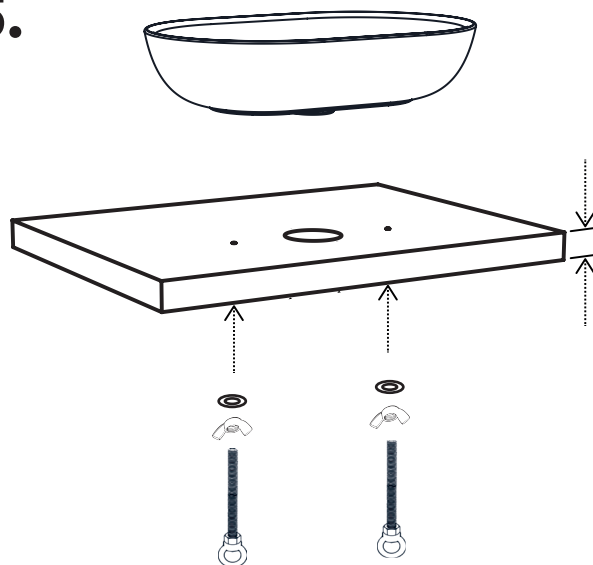
**3.**



**4.**



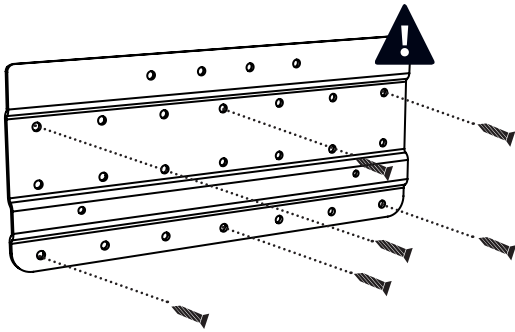
**5.**



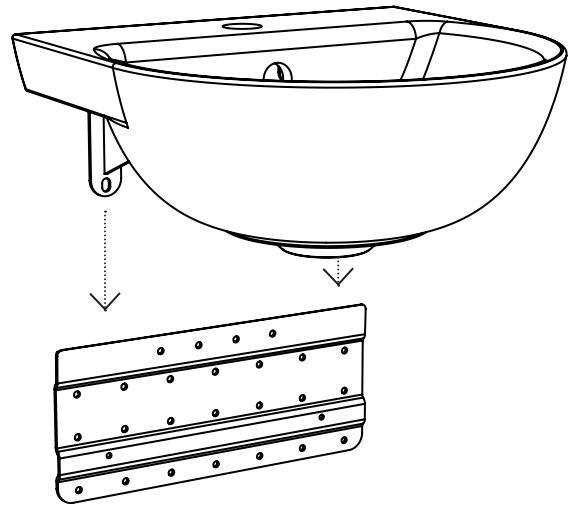
# INSTALLATION


Soft40 wall hung  
Soft60 wall hung  
Cube40 wall hung  
Cube60 wall hung

1.

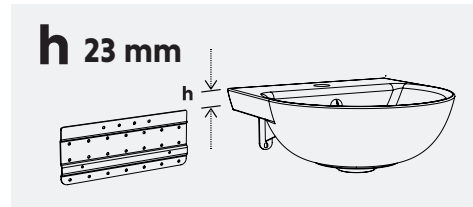


2.



 Please note that screws for wall mounting are not included. Different types of fasteners are required for different types of wall materials.

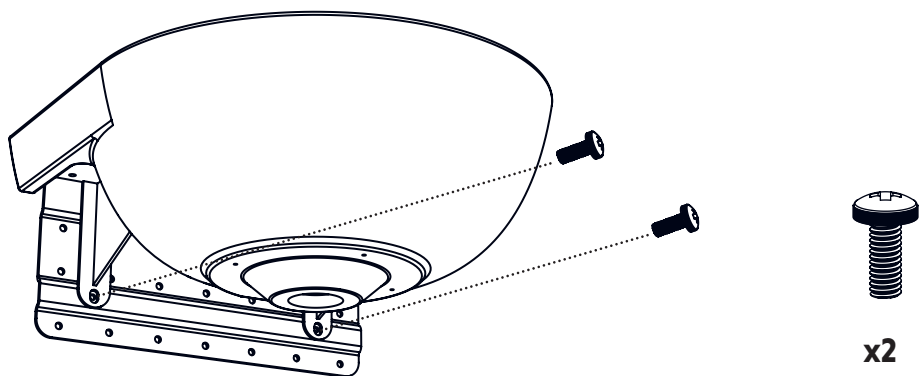
Distribute screws evenly.



Sink level is 23 mm higher than the wall piece.



**3.**

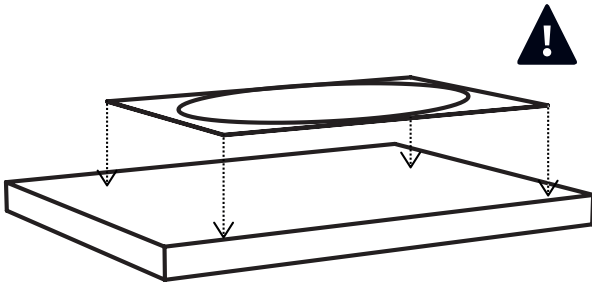


**⚠** Please note that the installation requires a water trap and a separate drainpipe depending on the site.

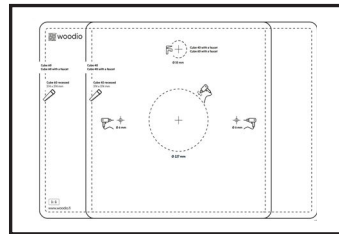
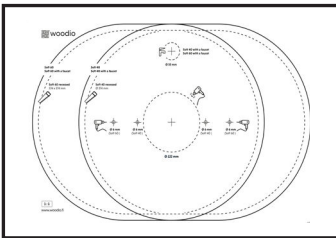
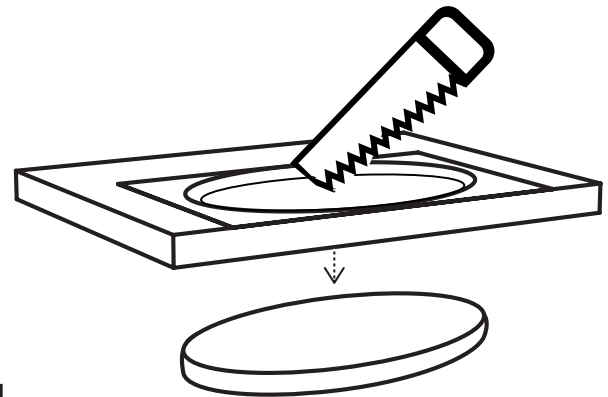
# INSTALLATION

Soft40 recessed  
Soft60 recessed  
Cube40 recessed  
Cube60 recessed

1.



2.

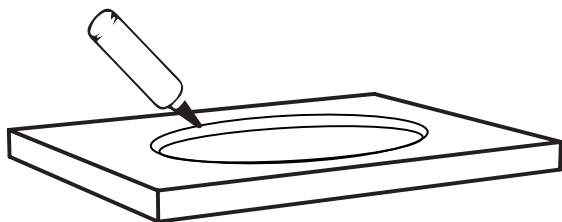


Use the template, in the package, to help you with the right installation dimensions when cutting into your table top. Please note that the installation requires a water trap and a separate drainpipe depending on the site.

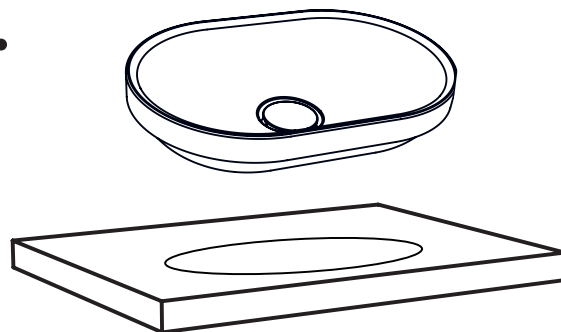




**3.**



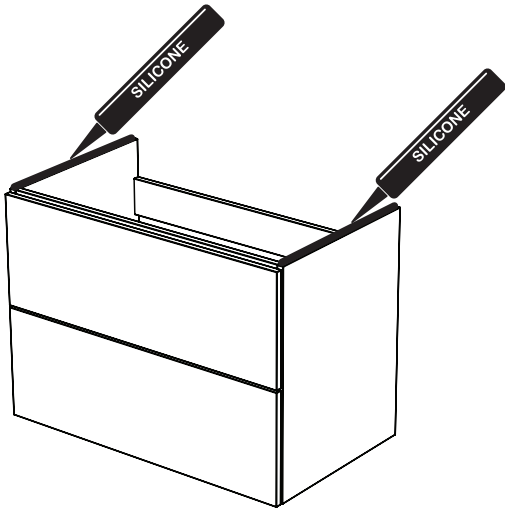
**4.**



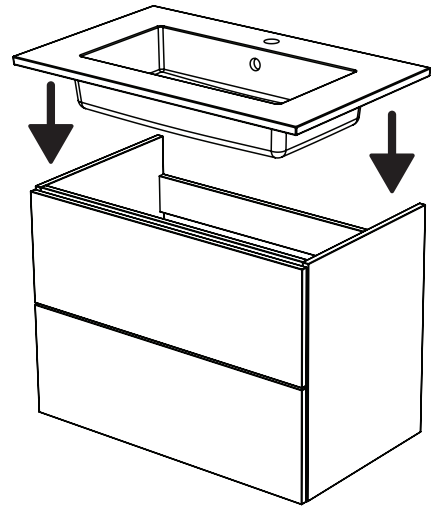
# INSTALLATION

Unit80 integrated

1.



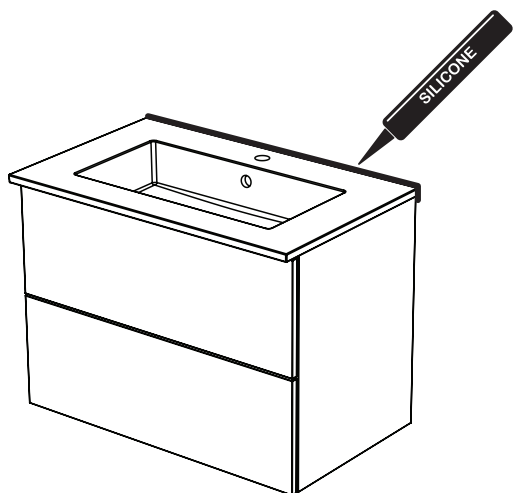
2.



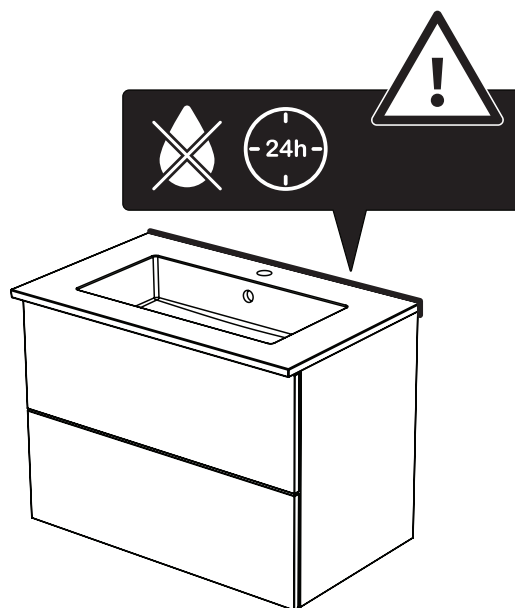
Please note, that the installation requires a drain valve and a water trap. Also a separate drainpipe is required depending on the site .



3.



4.



# Yes, it's wood.

WOODIO OY, FINLAND

[WWW.WOODIO.FI](http://WWW.WOODIO.FI)

