

woodio®

BATHTUB
INSTALLATION INSTRUCTIONS

WOODIO OY

MADE IN FINLAND

Woodio products are manufactured in Finland at Woodio's own factory in Helsinki. The Association for Finnish Work has awarded all Woodio products the Key Flag symbol in recognition of products made in Finland. We have also been awarded the Design from Finland mark that is awarded to companies that have contributed to Finnish design. We are proud to carry these awards as a symbol of Finnish work, design and craftsmanship.



**DESIGN DEED
OF THE YEAR
2019**



STANDARDS COMPLIANT

*Complies with EU sanitary appliances standard (EN 14516:2015).
Woodio bathtub can be installed in bathrooms used domestically and commercially.*



Can be disposed as energy waste.

CARE INSTRUCTIONS

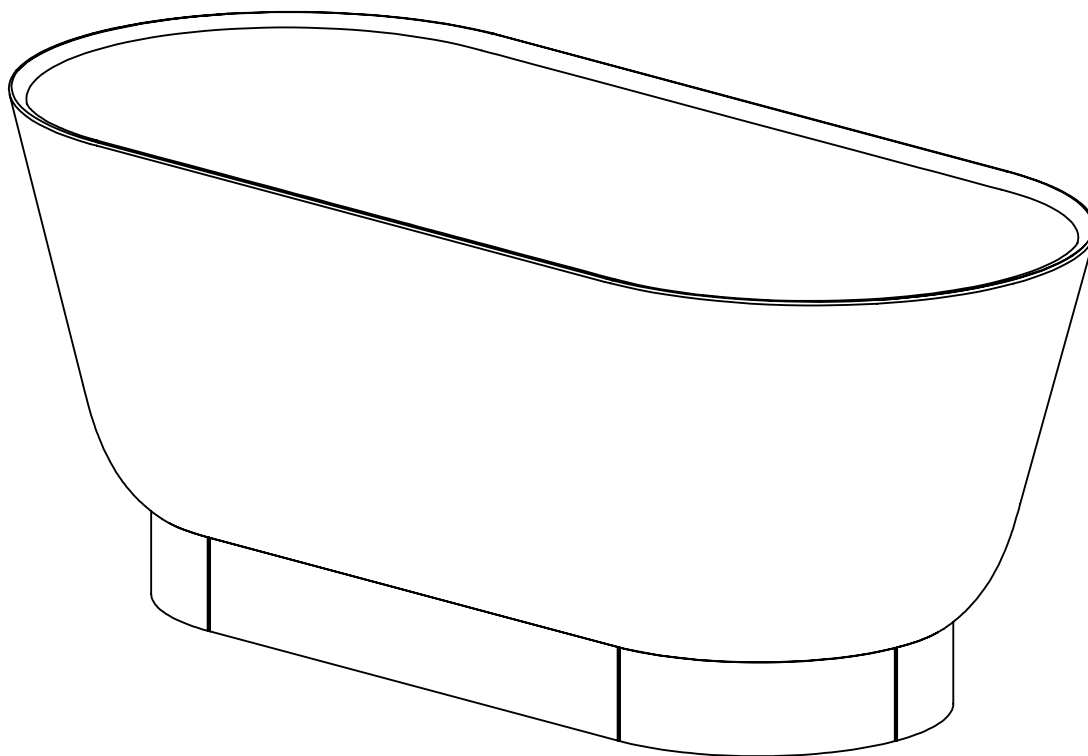
If necessary, clean with a water dampened soft cloth and a mild non-abrasive dish detergent or soap. Do not use steel wool, hard or sharp tools which can scratch the surface of the sink.



CUSTOMER CARE

*woodio@woodio.fi
+358 50 478 2944*

BATHTUB



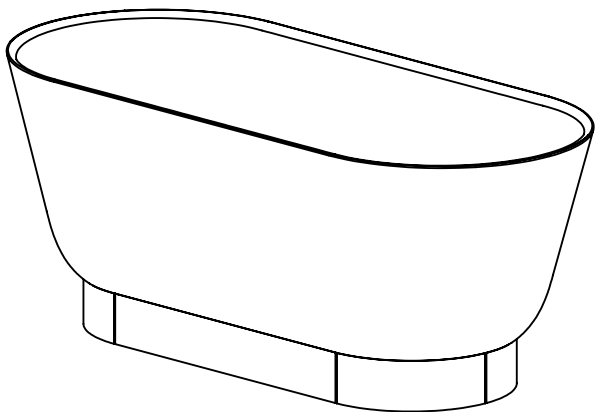
*Dimensions (LWH) 160 x 70 x 63 cm
Empty weight 80 kg
Capacity 257 litres*



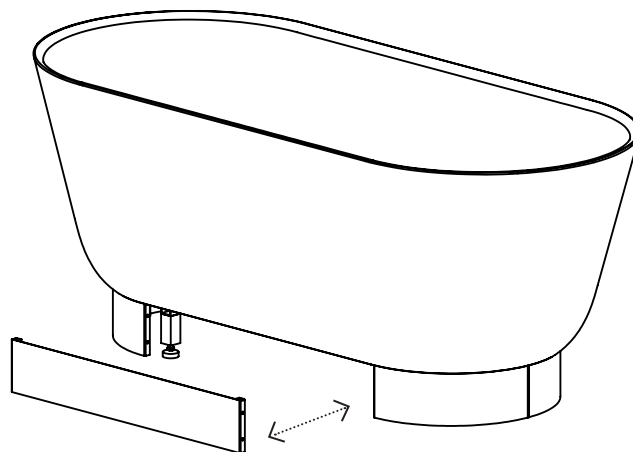
INSTALLATION

*The bathtub is delivered assembled.
Drain valve, plug and drainpipe connector
are supplied with bathtub.*

1.



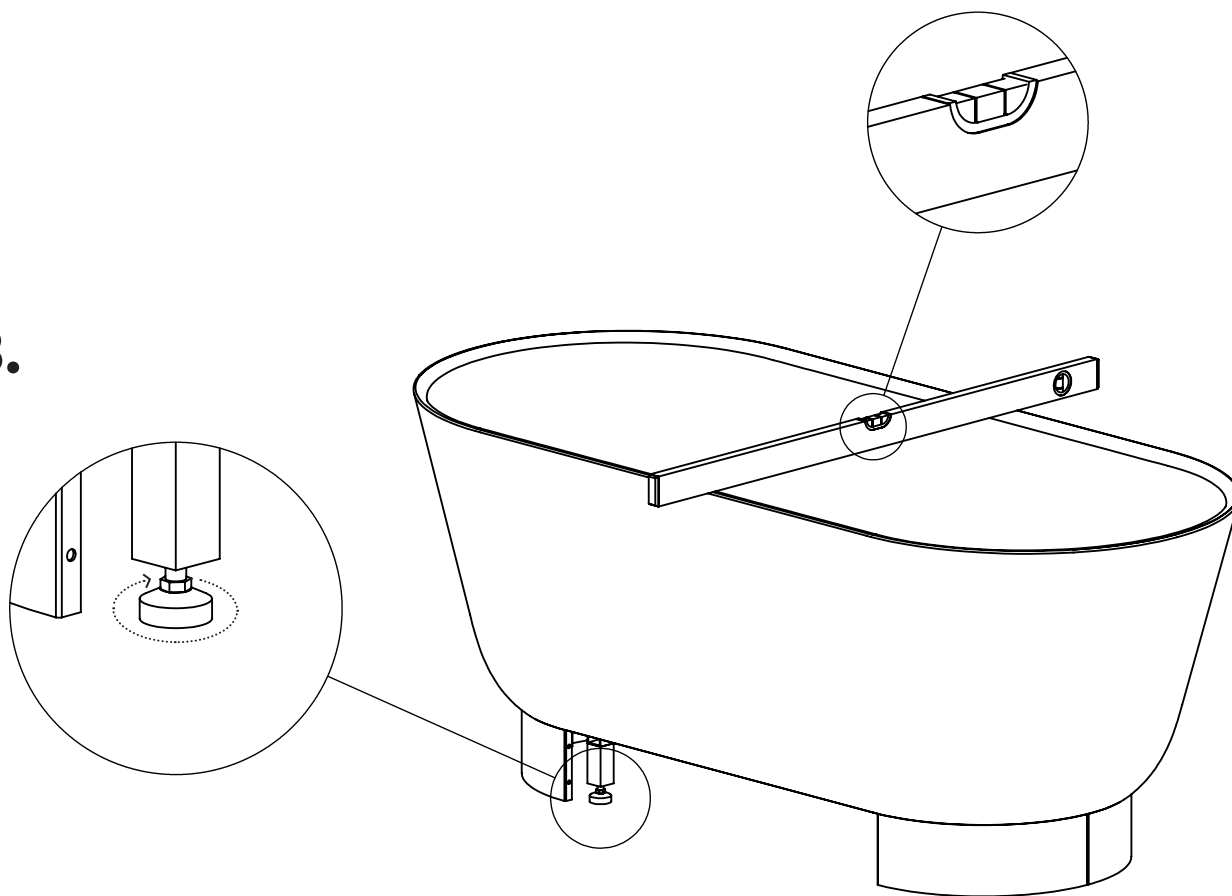
2.



*Remove the magnetic front panel to access
the bathtub's technical space.*

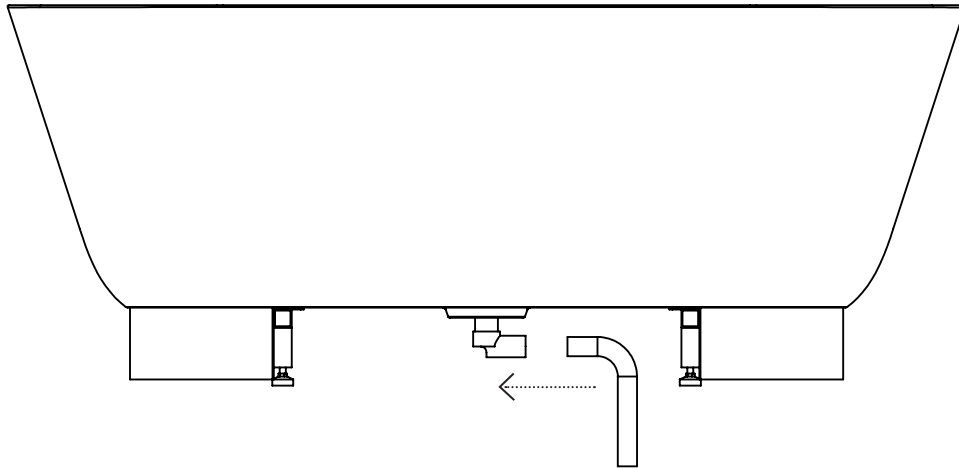


3.



Adjust the legs to level the bathtub.

4.



The installaton requires a separate drainpipe depending on the site. Drainpipe connector is for a 32mm (od) pipe.

Yes, it's wood.

WOODIO OY, FINLAND

WWW.WOODIO.FI

